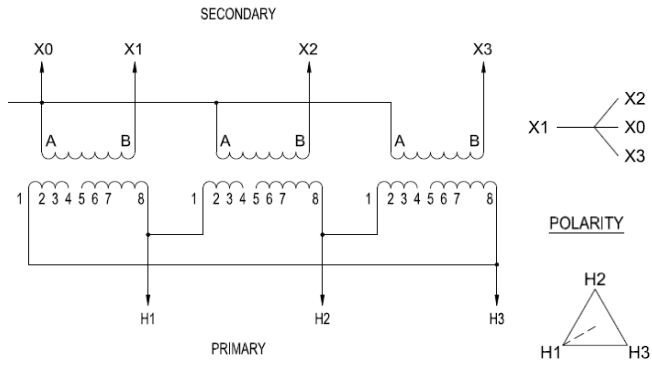


### DIAGRAM "UU"

VOLTS	CONNECT
630	4 TO 5
615	4 TO 6
600	4 TO 7
585	3 TO 6
570	3 TO 7
555	2 TO 6
540	2 TO 7



### DIAGRAM "WW"

VOLTS	CONNECT	LINE
630	1-6	H1-H2-H3
615	1-5	
600	1-4	
585	2-5	
570	2-4	
555	3-5	
540	3-4	

